

# U-R-B-A-N

## News

Information for our Customers and Business Friends

Trust. Right from the Start!

March 2012



### Content

#### Included in this issue:

- Overview Machine Program P. 2-3
- Show Program P. 4
- Registration P. 4

From Wednesday, March 21st. until Saturday, March 24th., 2012 you are going to find us in hall 3, stand no. 117. On more than 700 m<sup>2</sup> we are going to present two complete fully automated production lines to you.

More and more window producers deal very intensely with the topic 'automation in a window production'. And the point here is not to save manpower but to optimize production processes, reduce distances, ideally combine production processes and avoid substandard material and junk. Small as well as large PVC window production companies ask for these features.

Besides our high consultation expertise, please experience two elegant produc-

tion solutions made by Urban.

For one thing, a completely - from A to Z - equipped sash line with a welding - corner cleaning unit AKS 6400 in combination with a CNC corner cleaning machine SV 530, followed by a sash assembly unit FBA 2500/2 and a glass bonding station GVS. The sash line is going to be on display in a fully automated production cycle. The second production line on display is a frame line which consists of a SV 840 CNC corner cleaning unit in combination with interesting logistics modules such as a de-stacking shelf with loading- and unloading function. The frame line simulates also an automated production cycle as well, especially with minimum measurement frame elements.

As in regards to the subject 'MINIMUM MEASUREMENT ELEMENTS', Urban is clearly in a leading position.

In the logistics field we are going to present you our new glass panel sorting unit which provides enormous rationalization potential. Satisfied customers even declare that the glass sorting unit is one of the best investments ever.

Additional single machines complete the show program.

For many decades now we very successfully work together with the 'Süddeutsches Kunststoffzentrum' SKZ on numerous research projects. It's our pleasure to present you our results and special know-how.

The SKZ is going to inform you about the topic 'Welding with high temperatures and infra-red welding.

We would very much like to invite you to visit us in Nuremberg. Should you require a ticket for your free entrance to the trade fair, please to not hesitate to contact our hotline.

You can reach us at +49 (0) 8331 - 858 0 or please send us an e-mail to [info@u-r-b-a-n.com](mailto:info@u-r-b-a-n.com).

### EDITORIAL

Dear customers and business friends,

The final countdown for the most important trade fair event of the year, the fensterbau / frontale in Nuremberg has already started. For weeks and months now the organization is in process and it goes without saying that we want to present our extensive machine and equipment program to you.

Please find more detailed information on the following pages.

In the name of the complete Urban team we would like to invite you very much to visit the Urban show booth in Nuremberg. Please inform yourself of the most recent technologies in the PVC window production field and get some consultation input from our experts.

I'm certain that one or the other production solution will excite you too.

Please don't hesitate to visit us - we are looking forward to seeing you!

See you soon in Nuremberg.

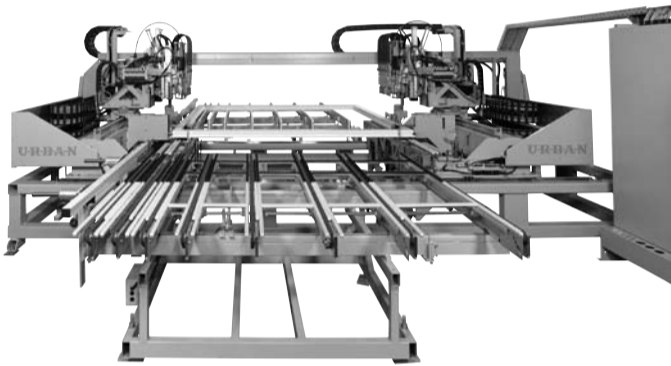
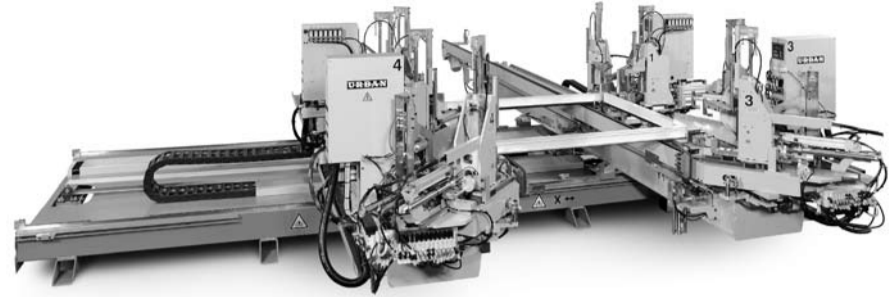
Martin Urban  
Managing Partner



## Multihead Welding Machine

### AKS 6xx Series

- ▶ Available with 4-, 6- or 8-heads
- ▶ Innovative and modern machine set-up
- ▶ New and technologically convincing welding heads
- ▶ Operator friendly due to inclined front carriages
- ▶ **I-Pos: Inside stop system with flexible outside stop optionally available**



## CNC-Double Head Corner Cleaning Machine

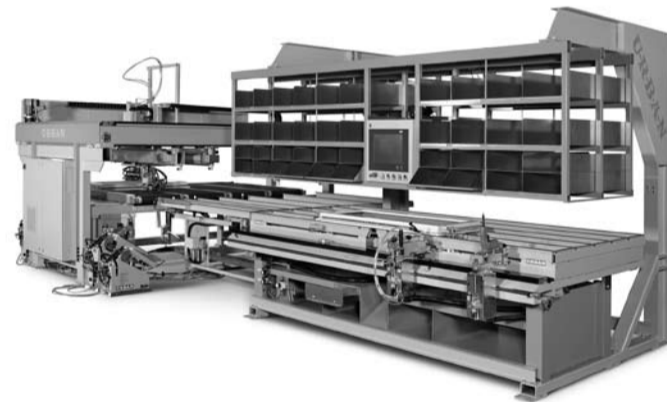
### SV 840

- ▶ Excellent price-performance ratio
- ▶ Innovative machine set-up
- ▶ Through-put with turnable tools
- ▶ Short through-put times even for transom combinations
- ▶ 3D-processing
- ▶ Extremely manifold and flexible processing possibilities

## Sash Assembly Unit

### FBA 2500/2

- ▶ Two drill units on one tool support
- ▶ No slack time and therefore a REAL sprinter
- ▶ One of a kind transportation and clamping system
- ▶ Can perfectly get combined, e.g. existing sash unit  
FAS can still get used



## CNC Corner Cleaning Unit

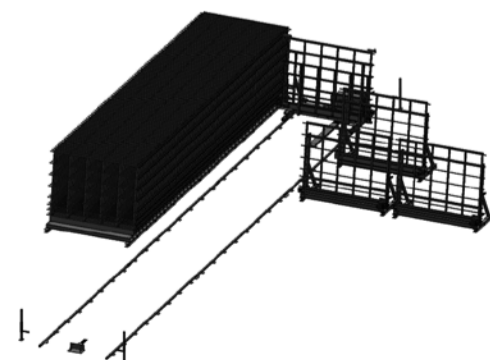
### SV 530-B

- ▶ Extremely fast processing
- ▶ Available with 2 or 4 axes
- ▶ Numerous special tools guarantee a variety of processing possibilities

## Automated Glass Sorting Unit

### GLR

- ▶ Automated glass transportation - and transfer unit
- ▶ Including destacking shelf Glasflex with automatic loading- and unloading function
- ▶ Takes care of the complete organisation and handling of the glass panels
- ▶ Reduces distances, damages and junk dramatically



## Double Head Welding Machine

### AKS 3950

- ▶ Welding of two 90° angles in one work step
- ▶ Adjustable limitation knives from 0.2 to 2.0 mm guarantee ideal welding results
- ▶ Adjustable support stops from 30° - 180° facilitate butt angle welding
- ▶ All parameters can get adjusted individually



## CNC Corner Cleaning Machine

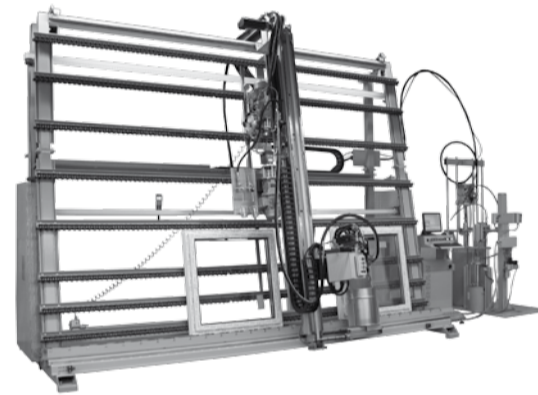
### SV 405

- ▶ 2 freely programmable CNC-axes
- ▶ Excellent price-performance ratio
- ▶ Ideal supplement for all window producers who look for CNC-comfort as well as extensive and manifold processing variants

## Glass Bonding Unit

### GVS

- ▶ Bonds the glass panel in a sash or finished element
- ▶ Suitable for rebate base - and overlap bonding
- ▶ Automated bonding process
- ▶ CNC-axis controlled injector nozzle conduction



## Water Slot Mill

### WS 203

- ▶ Powerful milling of water slots and air ventilations
- ▶ Engagement of motors for drainage can get modified
- ▶ Comfortable operation due to quick-change adjustments
- ▶ Selection between high frequency and electronic motors
- ▶ Rotation speed is adjustable
- ▶ Protective hood is optionally available

## Length Stop With Glass Ledge Saw

### LAEG 2600

- ▶ Intelligent and low wear and tear construction
- ▶ Highest repetitive accuracy thanks to installed positioning system
- ▶ IPC with large touch monitor included as a standard



# U-R-B-A-N

Vertrauen. Von Anfang an!

Hall 3 - Stand No. 117



# OUR PROGRAM

**Wednesday, 21. March - Saturday, 24. March, 2012**

9.00 am - 6.00 pm  
Hall 3 - Stand No. 117

Traditionally we will serve you a light snack.

*Please visit us -  
we are looking forward to seeing you!*

**Thursday, 22. March - Friday, 23. March, 2012**

from 6.00 pm - Urban 'Get-together'

Please visit us for an informal and relaxing end-of-the-show day get-together and enjoy a delicious dinner, cocktails and some music.



## REGISTRATION

please return by fax

Company:

---



---

Name:

---



---

I / we will visit the show on  WE  THU  FR  SA

with \_\_\_\_\_ persons.

I / we will visit the 'Get-Together' on  THU  FR

with \_\_\_\_\_ persons.

Please send us \_\_\_\_\_ free entrance tickets.

**FAX: +49 (0)8331 858-58**